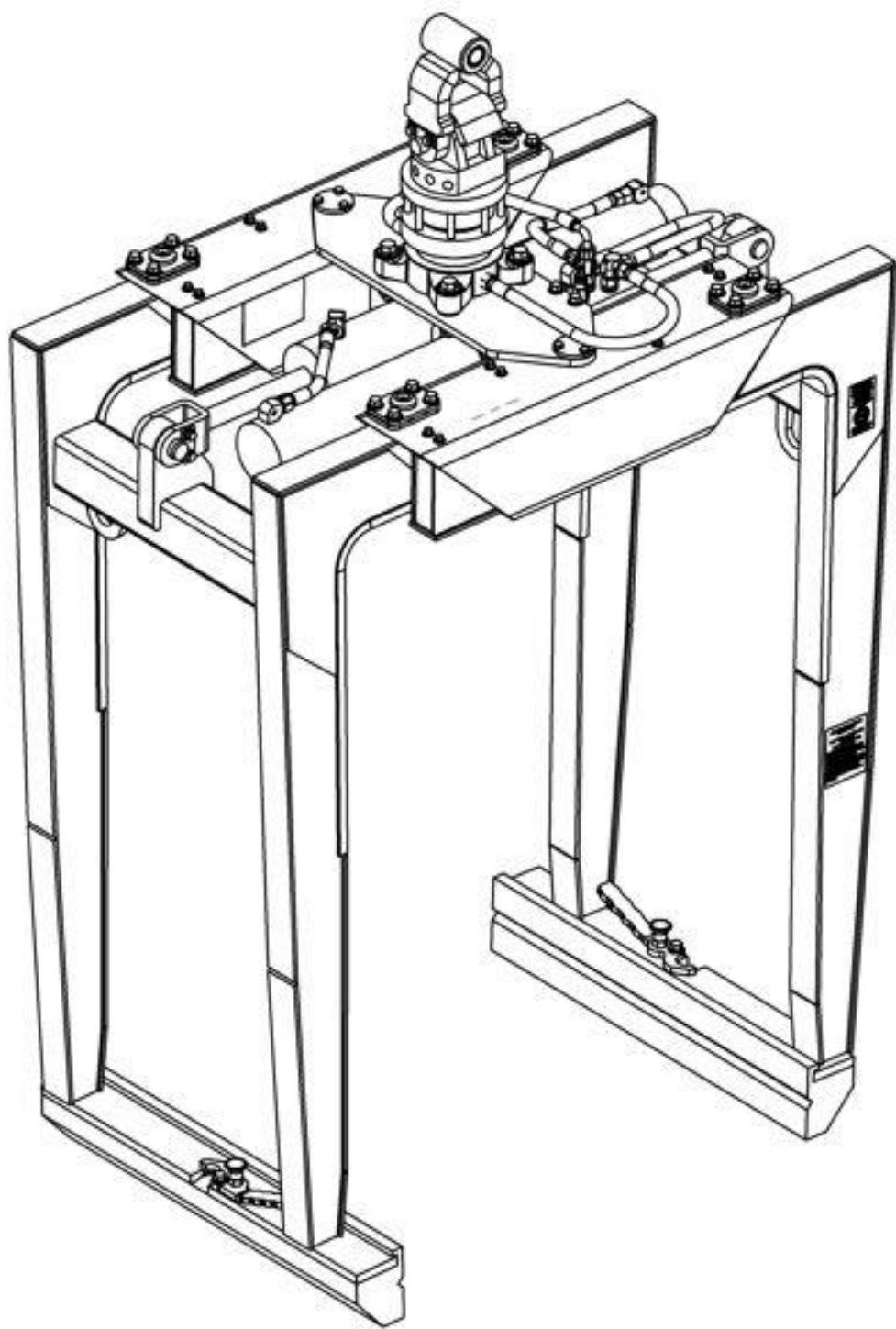
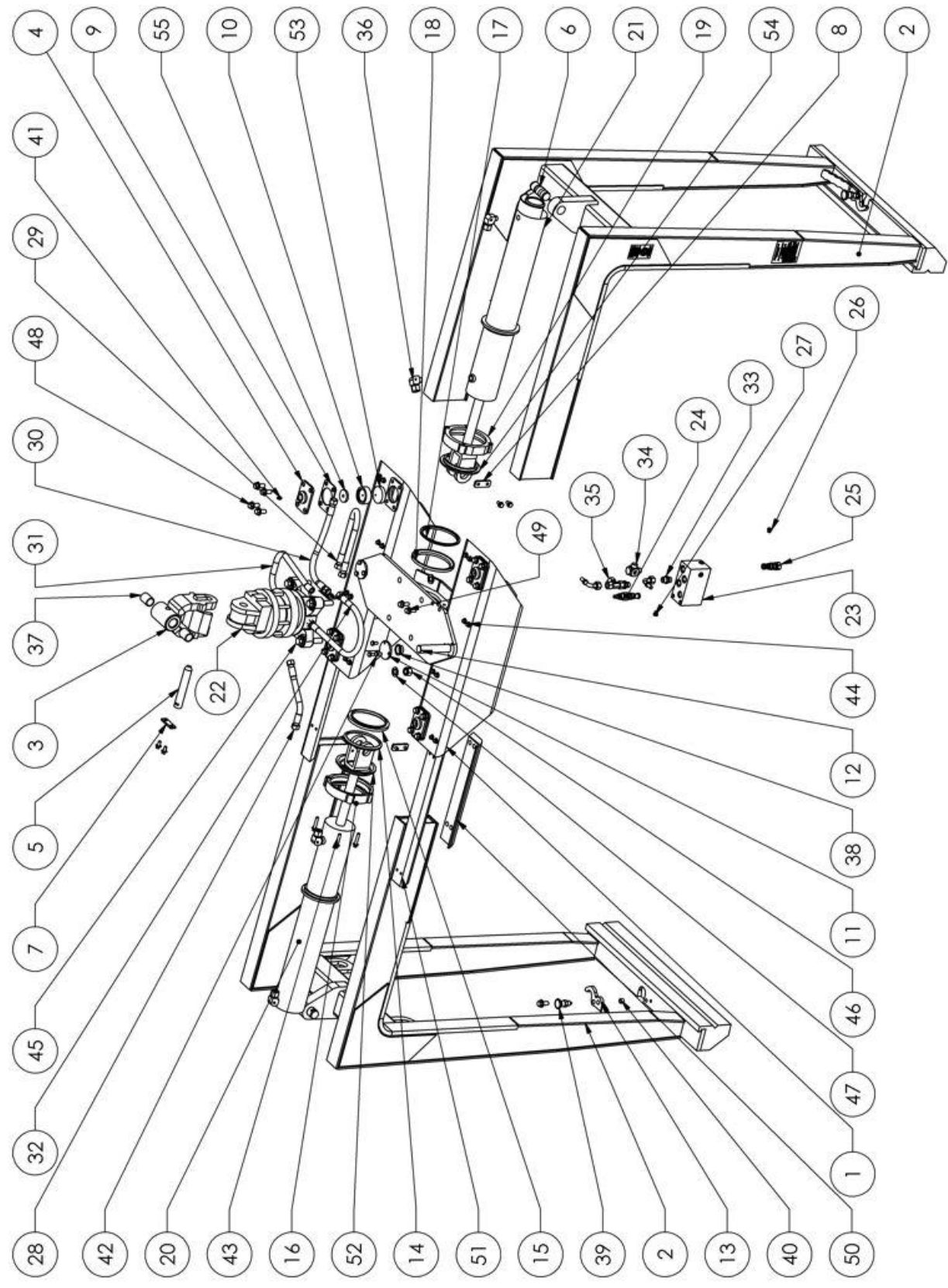


SPARE PARTS LIST  
for Grabber  
BE37



Grabber

BE37



ITEM No	PAPT No	QTY.	DESCRIPTION
1	37000001	1	GRADLE
2	37000002	2	CLAMPING ARM
3	27000003	1	LINK
4	37000004	4	GREASER ASSEMBLY
5	28000002	1	PIN
6	38000001	2	PIN
7	28000005	1	STOP PLATE
8	38000002	2	STOP PLATE
9	38000003	4	PLATE
10	38000004	4	RUBBER SLIDER
11	38000005	4	STOPPER
12	38000006	2	PIN
13	38000007	2	HANDLE
14	38000008	1	SEAL KIT
15	38000009	1	SEAL KIT
16	38000010	1	SEAL KIT
17	38000011	1	SEAL KIT
18	38000012	1	SEAL KIT
19	38000013	1	SEAL KIT
20	33000001	1	HYD. CYLINDER 1
21	33000002	1	HYD. CYLINDER 2
22	23000002	1	HYD. ROTATOR
23	33000003	1	HYD. BLOCK
24	23000004	1	HYD. VALVE
25	23000005	1	HYD. VALVE
26	33000004	3	PLUG
27	33000005	1	PLUG
28	33000006	1	HOSE
29	33000007	1	HOSE
30	33000008	1	HOSE
31	33000009	1	HOSE
32	33000010	1	HOSE
33	23000011	8	FITTING
34	33000008	1	PRESSURE ELBOW
35	33000009	1	Swivel tee assembly
36	33000010	4	Male stud elbow
37	22000001	2	BUSH
38	32000001	4	BUSH
39	32000002	2	PIN
40	32000003	2	BUSH
41	21000001	5	GREASER
42	31000001	12	BOLT
43	31000002	8	BOLT

44	21000003	36	BOLT
45	31000003	4	BOLT
46	21000006	4	NUT
47	21000007	4	WASHER
48	21000010	18	BOLT
49	31000004	2	BOLT
50	35000001	4	RUBBER SLIDER
51	35000002	4	RUBBER SLIDER
52	35000003	4	RUBBER SLIDER
53	35000004	1	SEAL KIT
54	35000005	4	RUBBER SLIDER
55	35000006	1	SEAL KIT