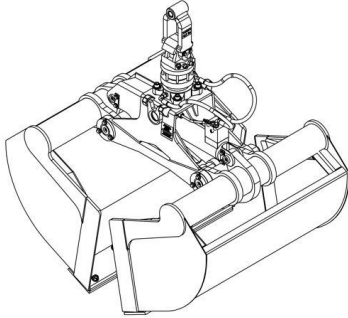


BE47**CLAMSHELL BUCKET**

The clamshell bucket BE47 handles loads up to 3000 kg.



- Compact design and rigid design. Narrow frame makes it suitable for digging.
- Enabled manual filling.
- Hydraulic cylinder cover.

BE47 PACKAGE:

Type	Volume, litre	Width, mm	Max A, mm	Load Capacity, kg	Own Weight, kg
BE4700	500	1000	1650	3000	392
BE4710	400	800	1650	3000	360
BE4720	300	640	1650	3000	332

Package Contains: clamshell bucket, rotator, hydraulic block and hoses, connection link, 2x lifting hooks.

Notes:

Operating pressure: 20 - 26 MPa (200 - 260 bar)

Oil Flow: max. 75 l/min

TECHNICAL DRAWING: