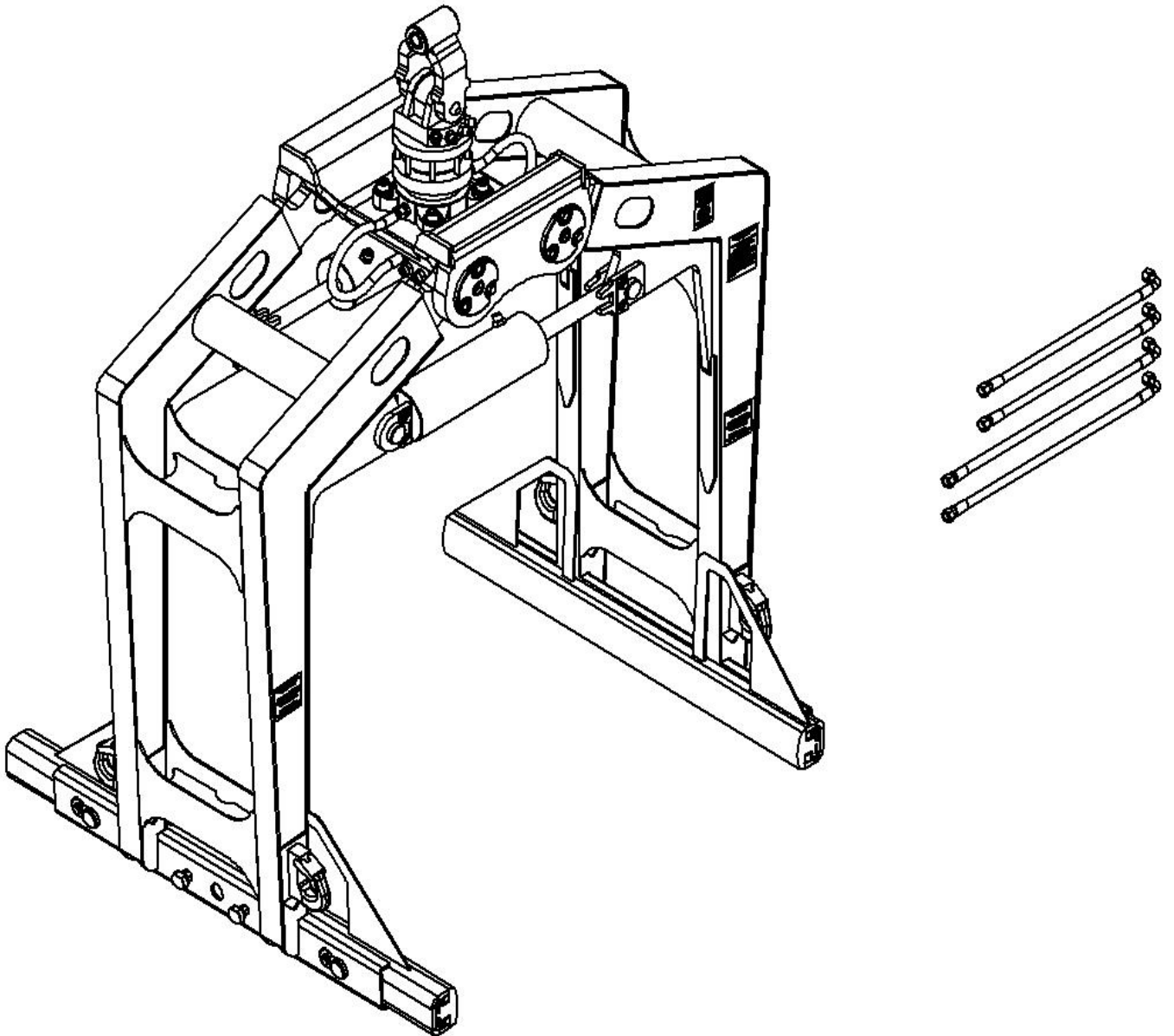
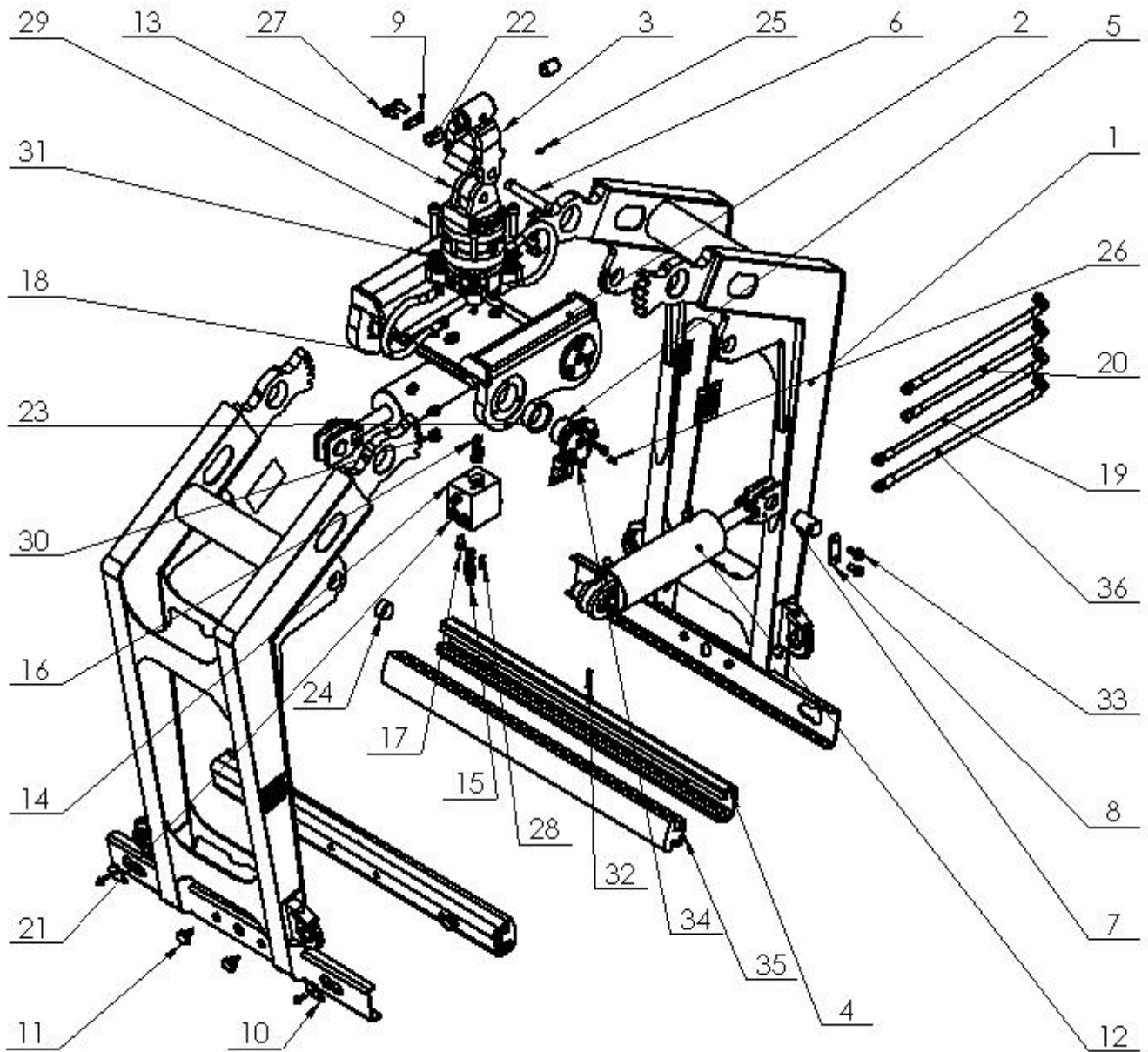


SPARE PARTS LIST
for Grabber
BE27



Grabber

BE27



ITEM No	PAPT No	QTY.	DESCRIPTION
1	27000001	2	CLAMPING ARM- 1000mm
1	27100001	2	CLAMPING ARM- 1200mm
2	27000002	1	CRADLE
3	27000003	1	Link
4	27000004	2	COPRESSION RAIL L=1000mm, OPTION "A"
4	27000005	2	COPRESSION RAIL L=1250mm, OPTION "B"
5	28000001	4	PIN
6	28000002	1	PIN
7	28000003	4	PIN
8	28000004	4	STOP PLATE
9	28000005	1	STOP PLATE
10	28000006	4	STOP PLATE
11	28000007	4	STOPPER
12	23000001	2	HYD. CYLINDER
13	23000002	1	HYD. ROTATOR
14	23000003	1	HYD. BLOCK
15	23000004	1	HYD. VALVE
16	23000005	1	HYD. VALVE
17	23000006	1	PLUG
18	23000007	2	HOSE
19	23000008	2	HOSE
20	23000009	2	HOSE
21	23000010	6	FITTING
22	22000001	2	BUSH
23	22000002	4	BUSH
24	22000003	4	BUSH
25	21000001	1	GREASER
26	21000002	4	GREASER
27	21000003	2	HF BOLT
28	21000004	2	H BOLT
29	21000005	4	HD BOLT
30	21000006	4	PT NUT
31	21000007	8	WASHER
32	21000008	2	SPRING PIN
33	21000009	12	HF BOLT
34	21000010	12	HF BOLT
35	25000001	2	RUBBER L=1000mm, OPTION "A"
35	25000002	2	RUBBER L=1250mm, OPTION "B"
36	23000011	1	HOSE